

20A/32A

480 V
U MAX III



RETTBOX® S
ELECTROMAGNETIC SELF-EJECTION

NEW

WITH OR WITHOUT AIR



IP54



1,5 - 6 mm² (1)



GRP



IK08



- 40 °C
+ 60 °C

(1) Flexible wiring (min.-max.)



Cable is not included

RETTBOX® S (20 A)
RETTBOX® S AIR (20 A)*



ENCLOSURE*



COUPLER SOCKET
straight (2)*



angled 60° (3)

220 - 250 V AC	6P+E	With solenoid coil 12/24 V DC and male connector	1516016	1513016	15C3016
24 V DC	6P+E	With solenoid coil 12/24 V DC and male connector	1516046	1513046	15C3046
12 V DC	6P+E	With solenoid coil 12/24 V DC and male connector	1516026	1513026	15C3026

(2) Input/Cable outer Ø 5-21 mm - (3) Input/Cable outer Ø 9-18 mm, no Air version available.

* For AIR version, change the 0 of the product reference by A.



ENCLOSURE*



COUPLER SOCKET
straight (2)*



angled 60° (3)

380 - 480 V AC	6P+E	With solenoid coil 12/24 V DC and male connector	1536036	1533036	15C3036
----------------	------	--------------------------------------------------	---------	---------	---------

(2) Input/Cable outer Ø 5-21 mm - (3) Input/Cable outer Ø 9-18 mm, no Air version available.

* For AIR version, change the 0 of the product reference by A.

OTHER FEATURES

	RETTBOX® S (20 A)	RETTBOX® S (32 A)	RETTBOX® S AIR (20 A)	RETTBOX® S AIR (32 A)
Front	GRP	GRP	GRP	GRP
Box	GRP	GRP	GRP	GRP
Front dimensions (W x H) in mm	120 x 120	120 x 120	120 x 120	120 x 120
Cut-out dimensions on vehicle's frame (W x H x D) in mm	86 x 82 x 83	86 x 82 x 83	86 x 82 x 83	86 x 82 x 83
Weight (excluding coupler socket)	400 g	400 g	407 g	407 g
Built-in DECONTACTOR™	20 A	32 A	20 A	32 A
Compressed air duct	/	/	up to 13 bars	up to 13 bars

OPTIONS



Order a 12/24 V yellow LED battery charging indicator.
Reference : 151ALED-24J.



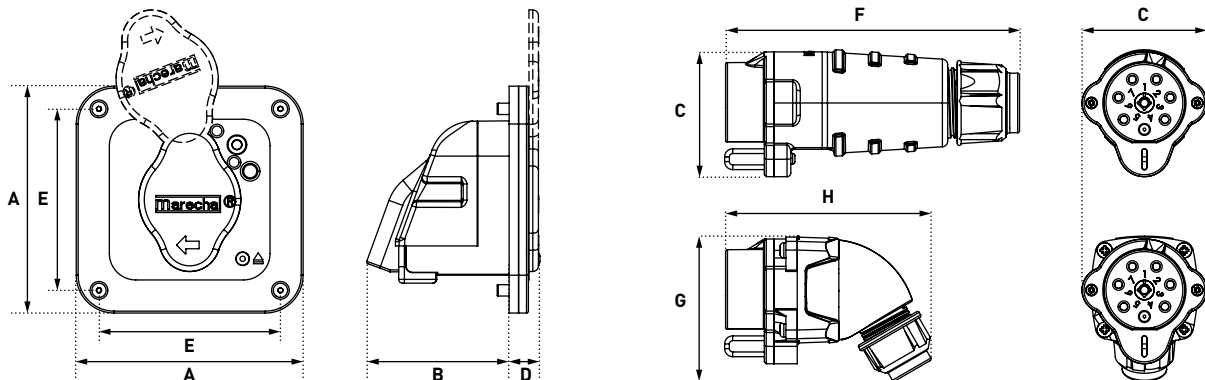
Contact us for wall installation
with a box 120x120x91.

Cable available per meter

381AKOM : 32 A cable, 1 air duct
+ 5G6mm² (4P+T) + 2 x 2.5mm² for auxiliaries

611AKOM: 20 A cable, 1 compressed air duct
+ 4G2.5mm² (3P+T) + 2 x 1.5mm² for auxiliaries

DRAWINGS AND DIMENSIONS



A	B	C	D	E	F	G	H
120	75	66	16	96	156	77	109

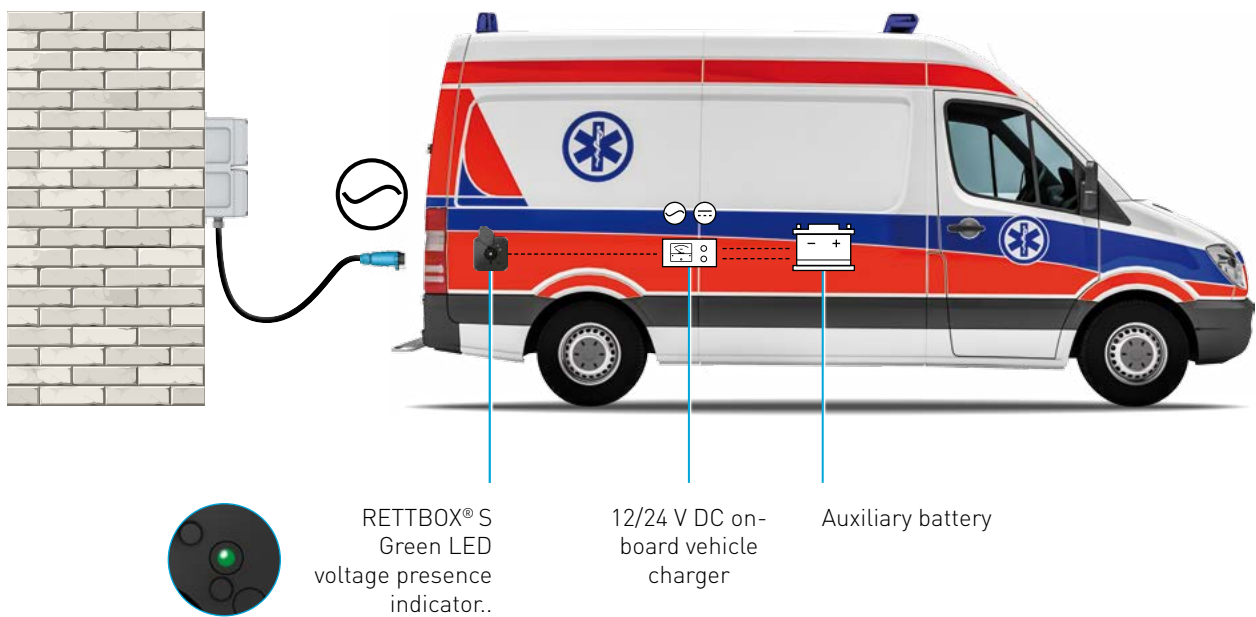
RETTBOX® S is a professional use compact and load-breaking self-ejecting socket-outlet.

The best in class industrial socket-outlet providing power to all equipment on-board a vehicle.

RETTBOX® S complies with the following standards:

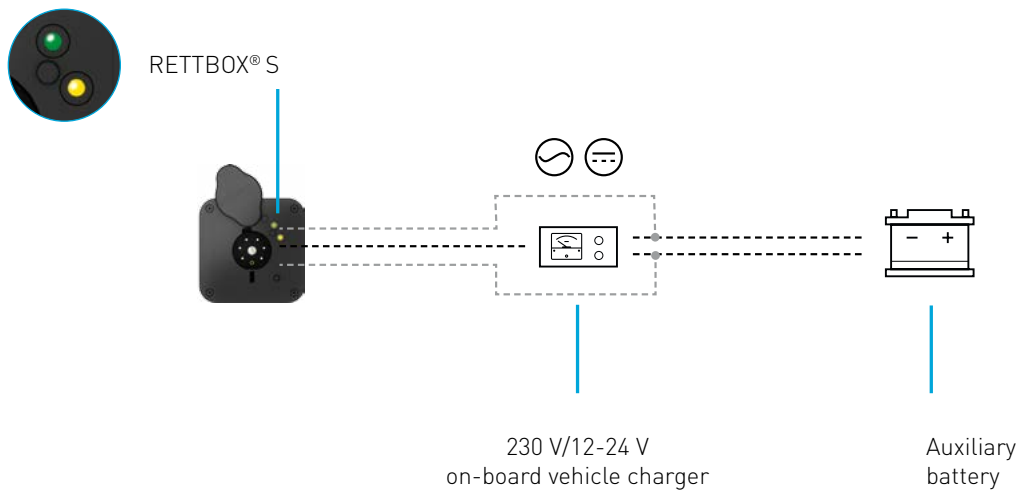
- European Low Voltage Directive and RoHS, European REACH Regulation.
- IEC/EN 61984, IEC/EN 60947-3.

**Figure 2: with an on-board vehicle charger.
230 V AC power supply.**



OPTIONAL

Order a 12 V/24 V yellow LED battery charging indicator. Reference : 151ALED-24J



20 A/32 A

RETTBOX® S SERIES

ELECTROMAGNETIC SELF-EJECTION

WITH OR WITHOUT AIR

RETTBOX® S

ELECTROMAGNETIC SELF-EJECTION

NEW

WITH OR WITHOUT AIR

Swivel-lid.

Base plate with 7 contacts.
The air duct of the AIR version is included in the connector.

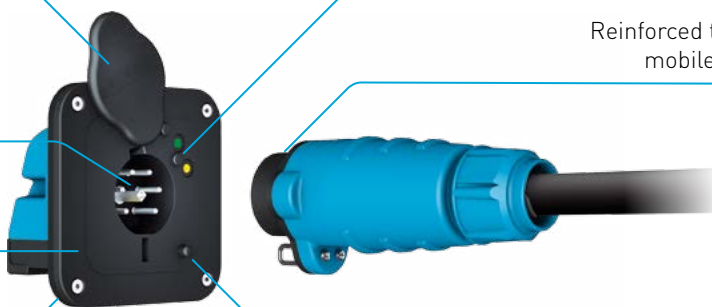
Reinforced thermoplastics box

12V/24V solenoid coil used to eject the socket-outlet upon starting of the vehicle.

Voltage presence and battery charging light indicators.

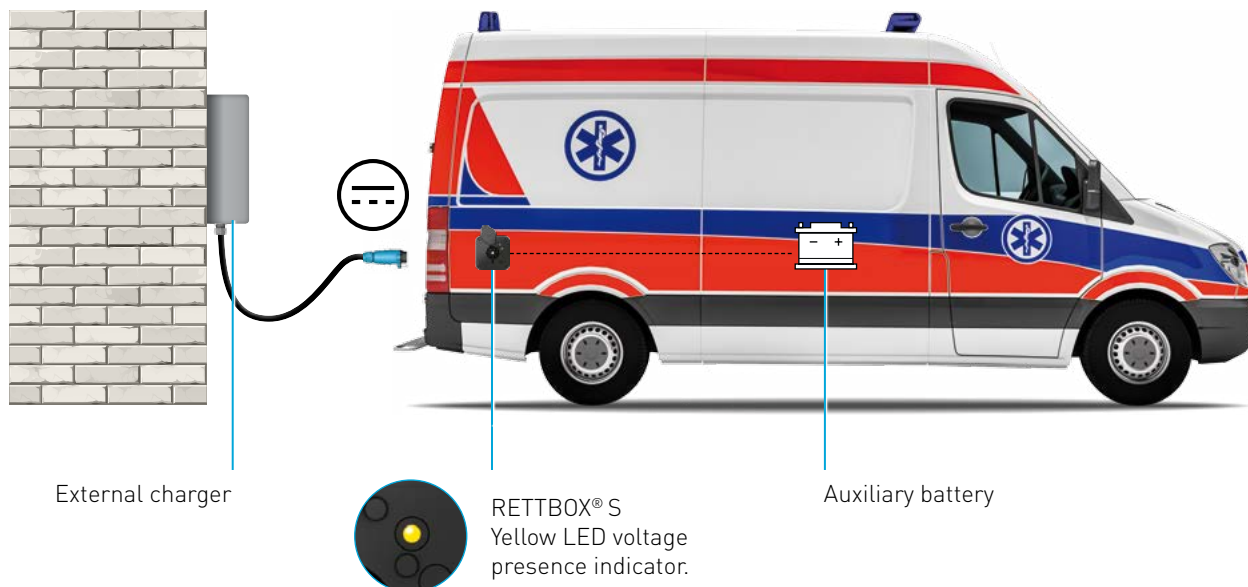
Reinforced thermoplastics mobile socket-outlet.

Manual ejection push button.



VOLTAGE PRESENCE AND AUXILIARY BATTERY CHARGING LIGHT INDICATORS

Figure 1: with an external battery charger.
12 V DC or 24 V DC power supply.



External charger

RETTBOX® S
Yellow LED voltage
presence indicator.

Auxiliary battery